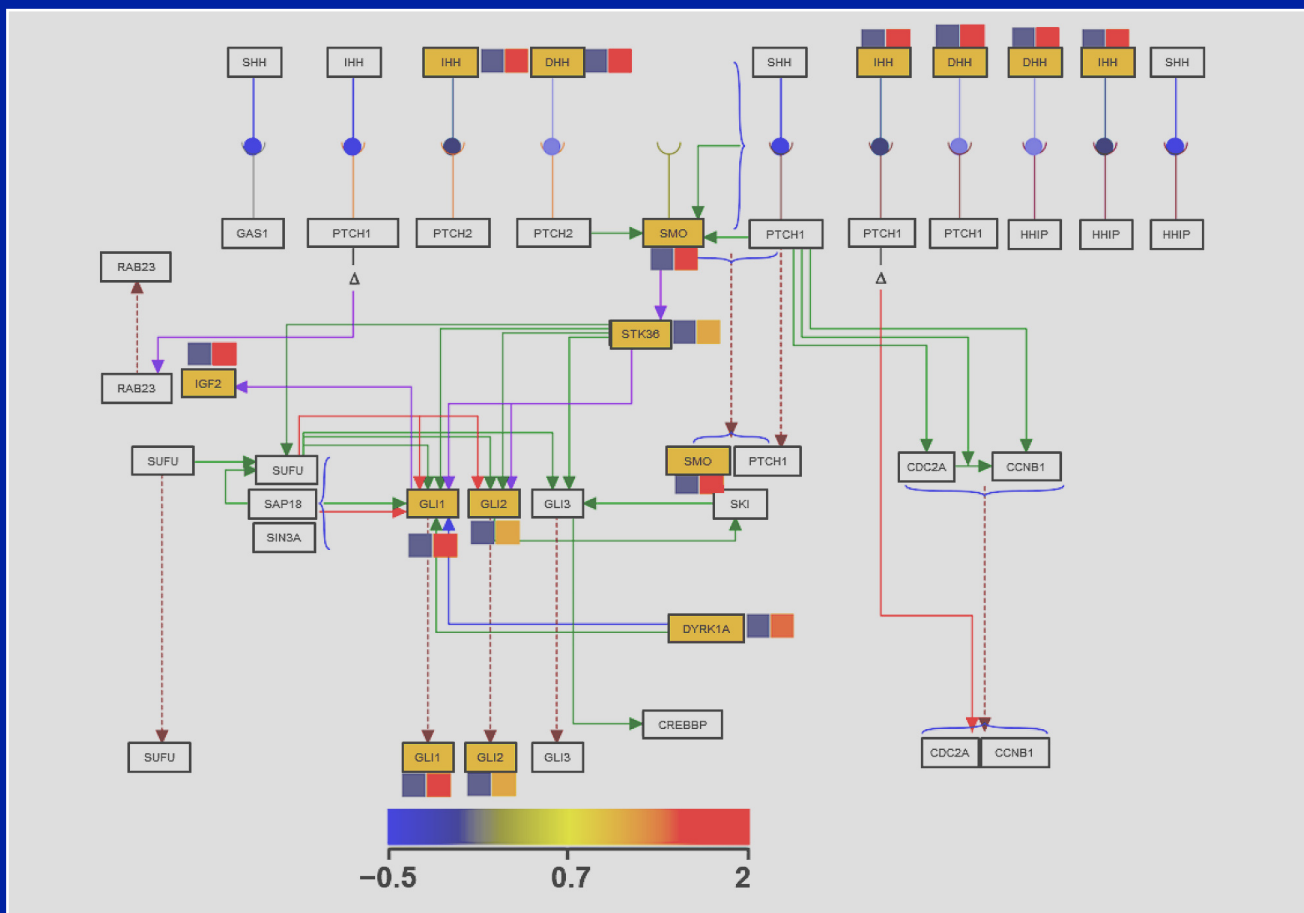


CANCER GENOMICS & PROTEOMICS

ISSN (online): 1790-6245

Volume 21, Number 5, September-October 2024



CANCER GENOMICS & PROTEOMICS

Online ISSN: 1790-6245

Editor-in-Chief:

ARUN SETH, *Sunnybrook Research Institute, University of Toronto, Toronto, ON, Canada*

Managing Editor:

G.J. DELINASIOS, *International Institute of Anticancer Research (IIAR), Kapandriti, Attiki, Greece*

Managing Editor (2004-2016):

J.G. DELINASIOS, *International Institute of Anticancer Research (IIAR), Kapandriti, Attiki, Greece*

Editorial Board

L.A. Aaltonen, *Helsinki, Finland*

R. Abagyan, *La Jolla, CA, USA*

D.-T. Bau, *Taichung, Taiwan, ROC*

R. Clarke, *Washington, DC, USA*

A. M. Dubuc, *Boston, MA, USA*

T. Efferth, *Mainz, Germany*

N.A. Ellis, *Tucson, AZ, USA*

A. Facoetti, *Pavia, Italy*

M.D. Filiou, *Ioannina, Greece*

C.V. Forst, *New York, NY, USA*

G. Glinsky, *San Diego, CA, USA*

T.R. Golub, *Cambridge, MA, USA*

J. Gordon, *Philadelphia, PA, USA*

C.-H. Heldin, *Uppsala, Sweden*

J.D. Hoheisel, *Heidelberg, Germany*

T.H.M. Huang, *San Antonio, TX, USA*

S.C. Jhanwar, *New York, NY, USA*

J. Ju, *Stony Brook, NY, USA*

O.P. Kallioniemi, *Turku, Finland*

K. Khalili, *Philadelphia, PA, USA*

D.G. Kieback, *Schleswig, Germany*

S.D. Kottaridis, *Athens, Greece*

Y.T. Kwon, *Seoul, Republic of Korea*

B. Léyland-Jones, *Rockville, MD, USA*

P. Lichter, *Heidelberg, Germany*

A. Lindblom, *Stockholm, Sweden*

G. Lubec, *Vienna, Austria*

P.J. McCormick, *Rensselaer, NY, USA*

F. Mitelman, *Lund, Sweden*

C. Nicot, *Kansas City, KS, USA*

L. O'Driscoll, *Dublin, Ireland*

C. D. Platsoucas, *Norfolk, VA, USA*

J. Quackenbush, *Boston, MA, USA*

J.S. Rader, *Milwaukee, WI, USA*

R.H. Reeves, *Baltimore, MD, USA*

T. Ried, *Bethesda, MD, USA*

G. Rimbach, *Kiel, Germany*

K.D. Rodland, *Richland, WA, USA*

C. Sansom, *London, UK*

N.A. Saunders, *Queensland, Australia*

B.W. Schäfer, *Zurich, Switzerland*

J. Schneider, *Valladolid, Spain*

O.J. Semmes, *Norfolk, VA, USA*

G.V. Sherbet, *Newcastle-upon-Tyne, UK*

S. Smith, *Duarte, CA, USA*

J.C. Strefford, *Southampton, UK*

G. Tsangaris, *Athens, Greece*

U.H. Weidle, *Penzberg, Germany*

H. Zhang, *New Haven, CT, USA*

Editorial Office: International Institute of Anticancer Research

1st km Kapandritiou-Kalamou Rd.,

P.O. Box 22, Kapandriti, Attiki 19014, Greece.

Tel: +30 22950 52945, Fax: +30 22950 53389

U.S. Branch: Anticancer Research USA, Inc., 111 Bay Avenue, Highlands, NJ 07732, USA.

E-mails: journals@iiar-anticancer.org (Editorial Office)

editor@iiar-anticancer.org (Managing Editor)

www.iiar-anticancer.org

<http://cgp.iiarjournals.org>

Editorial Policy. CANCER GENOMICS & PROTEOMICS (CGP) welcomes the submission of high quality original articles and reviews on all aspects of the application of genomic and proteomic technologies to experimental and clinical cancer research. The Journal's scientific spectrum includes: (a) molecular causes of carcinogenesis, cancer progression and metastasis; (b) structural and functional aspects of genes in the cancer cell; (c) advances in genomic and proteomic technologies applicable to cancer research; (d) anticancer drug design and drug development.

CGP will also accept abstracts and proceedings of scientific meetings for publication, following consideration and approval by the Editorial Board.

A main aim of CGP is to ensure the prompt and confidential review, and rapid publication of original works and reviews, generally within 1-2 months from acceptance.

For more information about CANCER GENOMICS & PROTEOMICS, IIAR and the Conferences, please visit the IIAR website: www.iiar-anticancer.org

Publication Data: CANCER GENOMICS & PROTEOMICS (CGP) is published bimonthly online-only and open access by the International Institute of Anticancer Research. Each annual volume comprises of six issues. CANCER GENOMICS & PROTEOMICS Vol. 1 (2004) and onwards appears online with Stanford University HighWire Press. All published articles are deposited in PubMed Central.

Open Access Policy: CGP appears bimonthly as an online-only open access journal through the Stanford University HighWire Press. Upon acceptance, Authors will be asked to pay an online publication fee of US\$ 1,100.00 (effective June 1, 2024) for articles up to 8 online pages (including figures and tables). Each additional excess page will be charged US\$ 60.00. Color will not be charged. Authors from developing countries may apply for a 25% discount after the acceptance of their paper. CGP online will keep the volume and issue numbers, as well as page numbering.

Copyright: Authors retain copyright. The unrestricted *non-commercial* use, distribution and reproduction in any medium of CGP articles for academic reasons is allowed, provided that the original work is properly cited. The Authors grant the permanent right to the publisher to use any articles published in this journal without any restriction, including academic advertising purposes. PDF, XML and HTML files of all articles published in CGP are the property of the publisher.

Manuscripts and correspondence should be addressed to: Dr. George J. Delinasios, Managing Editor, Editorial Office, Cancer Genomics & Proteomics, 1st km Kapandritiou-Kalamou Rd., P.O. Box 22, Kapandriti, Attiki 19014, Greece. Tel: +30 22950 52945, Fax: +30 22950 53389, e-mail: editor@iiar-anticancer.org

Manuscripts from North America may be sent to the Editor-in-Chief, Prof. A. Seth, CGP, Laboratory of Molecular Pathology, Sunnybrook Research Institute, University of Toronto, 2075 Bayview Avenue, Room S112a, Toronto, ON, Canada M4N 3M5. Fax: +1 416 480 5737. E-mail: genomics.proteomics@utoronto.ca

The Editors and Publishers of CANCER GENOMICS & PROTEOMICS accept no responsibility for the opinions expressed by the contributors or for the content of advertisements appearing therein.

Copyright© 2024, International Institute of Anticancer Research (Dr. George J. Delinasios), All rights reserved

PHOTO COMPOSITION BY IIAR

CANCER GENOMICS & PROTEOMICS

Print ISSN (2004-2012): 1109-6535
Online ISSN: 1790-6245

VOLUME 21, No 5
2024

Editorial Board

- A. Seth** Editor-in-Chief
Laboratory of Molecular Pathology, Sunnybrook Research Institute, Sunnybrook Health Sciences Centre and University of Toronto, Toronto, Ontario, Canada
- G.J. Delinasios** Managing Editor and Executive Publisher
International Institute of Anticancer Research, Athens, Greece
- L.A. Aaltonen** Department of Medical Genetics, University of Helsinki, Helsinki, Finland
- R. Abagyan** The Scripps Research Institute, La Jolla, CA, USA
- D.-T. Bau** Terry Fox Cancer Research Lab, China Medical University Hospital, Taichung, Taiwan, ROC
- R. Clarke** Vincent T. Lombardi Cancer Center, Georgetown University School of Medicine, Washington, DC, USA
- A.M. Dubuc** Brigham and Women's Hospital, Harvard Medical School, Boston, MA, USA
- T. Efferth** Department of Pharmaceutical Biology Institute of Pharmacy and Biochemistry, University of Mainz, Mainz, Germany
- N.A. Ellis** Department of Cellular and Molecular Medicine, University of Arizona Cancer Center, Tucson, AZ, USA
- A. Facoetti** Fondazione CNAO, Pavia, Italy
- M.D. Filiou** Department of Biological Applications and Technology, University of Ioannina & Biomedical Research Institute, FORTH, Ioannina, Greece
- C.V. Forst** Department of Genetics and Genomic Sciences, Institute for Genomics and Multiscale Biology, Icahn School of Medicine at Mount Sinai, New York, NY, USA
- G. Glinsky** Institute of Engineering in Medicine, University of California, San Diego, CA, USA
- T.R. Golub** Pediatric Oncology, Dana-Farber Cancer Institute, Cambridge, MA, USA
- J. Gordon** Department of Neuroscience, Center for Neurovirology, Temple University School of Medicine, Philadelphia, PA, USA
- C.-H. Heldin** Ludwig Institute for Cancer Research, Uppsala, Sweden
- J.D. Hoheisel** Deutsches Krebsforschungszentrum, Genome Research and Bioinformatics, Heidelberg, Germany
- T.H.M. Huang** Department of Molecular Medicine/Institute of Biotechnology, University of Texas Health Science Center at San Antonio, San Antonio, TX, USA
- S.C. Jhanwar** Departments of Pathology and Medicine, Memorial Sloan Kettering Cancer Center, New York, NY, USA
- J. Ju** Translational Research Laboratories, State University of New York, School of Medicine, Stony Brook, NY, USA
- O.P. Kallioniemi** Medical Biotechnology Group, VTT Technical Research Centre of Finland, Turku, Finland
- K. Khalili** College of Science and Technology, Center for Neurovirology and Cancer Biology, Temple University, Philadelphia, PA, USA
- D.G. Kieback** Helios Medical Center Schleswig, Schleswig, Germany
- S.D. Kottaridis** Department of Virology, Hellenic Anticancer Institute, Athens, Greece
- Y. T. Kwon** Department of Biomedical Sciences, College of Medicine, Seoul National University, Seoul, Republic of Korea
- B. Léylard-Jones** National Foundation for Cancer Research (NFCR), Rockville, MD, USA
- P. Lichter** Deutsches Krebsforschungszentrum, Heidelberg, Germany
- A. Lindblom** Karolinska Hospital, Department of Molecular Medicine and Surgery, Stockholm, Sweden
- G. Lubec** Department of Pediatrics, University of Vienna, Austria
- P.J. McCormick** The Center for Functional Genomics, Gen*NY*Sis Center for Excellence in Cancer Genomics, University of Albany, SUNY, Rensselaer, NY, USA
- F. Mitelman** Department of Clinical Genetics, University Hospital, Lund, Sweden
- C. Nicot** Department of Microbiology, Immunology and Molecular Genetics, University of Kansas Medical Center, Kansas City, KS, USA
- L. O'Driscoll** School of Pharmacy and Pharmaceutical Sciences, Trinity College, Dublin, Ireland
- C.D. Platsoucas** College of Sciences, Old Dominion University, Norfolk, VA, USA
- J. Quackenbush** Department of Biostatistics and Computational Biology, Dana-Farber Cancer Institute, Boston, MA, USA
- J.S. Rader** Department of Obstetrics and Gynecology, Medical College of Wisconsin, Milwaukee, WI, USA
- R.H. Reeves** Department of Physiology, Johns Hopkins University, School of Medicine, Baltimore, MD, USA

T. Ried	Center for Cancer Research, Genetics Branch, NCI, NIH, Bethesda, MD, USA
G. Rimbach	Institute for Human Nutrition and Food Science, Christian-Albrechts-University, Kiel, Germany
K.D. Rodland	Biological Sciences Division, Pacific Northwest National Laboratory, Richland, WA, USA
C. Sansom	The School of Crystallography, Birbeck College, University of London, London, UK
N.A. Saunders	Centre for Immunology and Cancer Research, Princess Alexandra Hospital, University of Queensland, Brisbane, Australia
B.W. Schäfer	Department of Oncology, University Children's Hospital, Zurich, Switzerland
J. Schneider	Universidad de Valladolid, Valladolid, Spain
O.J. Semmes	Department of Microbiology and Molecular Cell Biology, Eastern Virginia Medical School, Norfolk, VA, USA
G.V. Sherbet	University of Newcastle, Merz Court, Department of Electrical and Electronic Engineering, Newcastle-upon-Tyne, UK
S. Smith	City of Hope Cancer Center, Department of Cell and Tumor Biology, Duarte, CA, USA
J.C. Strefford	Cancer Science Division, Southampton General Hospital, Southampton, UK
G. Tsangaris	Foundation of Biomedical Research of the Academy of Athens, Central Unit of Genomics-Proteomics, Athens, Greece
U.H. Weidle	Roche Pharma Research and Early Development (pRED), Roche Diagnostics GmbH, Penzberg, Germany
H. Zhang	Department of Epidemiology and Public Health, Yale University School of Medicine, New Haven, CT, USA

Articles in CANCER GENOMICS & PROTEOMICS are regularly indexed in the following bibliographic services: PubMed, PubMed Central, MEDLINE, CAS (Chemical Abstracts Service); Biological Abstracts; EMBASE and BIOBASE; Compendex, GEOBASE; EMBiology; FLUIDEX; Scopus (Elsevier Bibliographic Databases); BIOSIS Previews; Science Citation Index Expanded (Web of Science); Essential Science Indicators; Google Scholar; LEEDS MEDICAL INFORMATION; CSA ILLUMINA (Cambridge Scientific Abstracts, including: Oncogenes & Growth Factors, Genetics, Medical & Pharmaceutical Biotechnology, Bioengineering); All-Russian Institute of Scientific and Technical Information – VINITI Abstracts Journal; PubsHub; Sociedad Iberoamericana de Información Científica (SIIC) Data Bases.

Editorial Office: International Institute of Anticancer Research, 1st km Kapandritiou-Kalamou Road, P.O. Box 22, Kapandriti, Attiki, 19014, Greece. Tel: +30 22950 52945, Fax: +30 22950 53389. Web: www.iar-anticancer.org; www.cgp.iarjournals.org.

Editorial Office in U.S.A.: Anticancer Research USA, Inc., 111 Bay Avenue, Highlights, NJ 07732, USA.

E-mail: journals@iar-anticancer.org. Managing Editor: editor@iar-anticancer.org.

Web: www.iar-anticancer.org; www.cgp.iarjournals.org.

Manuscripts and correspondence should be addressed to: Dr. George J. Delinasios, Managing Editor, Editorial Office, Cancer Genomics & Proteomics, 1st km Kapandritiou-Kalamou Road, P.O. Box 22, Kapandriti, Attiki, 19014, Greece. Tel: +30 22950 52945, Fax: +30 22950 53389, e-mail: editor@iar-anticancer.org

Manuscripts from North America may be sent to the Editor-in-Chief, Prof. A. Seth, CGP, Laboratory of Molecular Pathology, Sunnybrook Research Institute, 2075 Bayview Avenue, Room S112a, Toronto, ON, Canada M4N 3M5. Fax: +1 416 480 5737, e-mail: genomics.proteomics@utoronto.ca

CANCER GENOMICS & PROTEOMICS

Volume 21, Number 5, September-October 2024

Review

- Pharmacogenetics of Toxicities Related to Endocrine Treatment in Breast Cancer: A Systematic Review and Meta-analysis. K. MOKBEL, M. WEEDON, V. MOYE, L. JACKSON (*Exeter, UK*)..... 421

Articles

- Worse Wilms' Tumor Outcomes Associated With Chemical Complementarity for Multiple T-Cell Receptor CDR3-CMV Epitope Pairs. K. L. RIGBY, M. J. DIAZ, E. C. GOZLAN, D. B. KACSOH, J. J. SONG, T. R. HUDOCK, A. CHOBRUTSKIY, B. I. CHOBRUTSKIY, G. BLANCK (*Orlando; Tampa, FL; Portland, OR, USA*)..... 439
- The Clinical and Genetic Landscape of Hereditary Cancer: Experience from a Single Clinical Diagnostic Laboratory. N. TSOULOS, K. AGIANNITOPOULOS, K. POTSKA, A. KATSELI, C. NTOGKA, G. PEPE, D. BOUZARELOU, A. PAPATHANASIOU, D. GRIGORIADIS, G. N. TSAOUSIS, H. GOGAS, T. TROUPIS, K. PAPAISIS, I. NATSIOPOULOS, V. VENIZELOS, K. AMARANTIDIS, S. GIASSAS, C. PAPADIMITRIOU, E. FOUNTZILAS, M. STATHOULOPOULOU, A. KOUMARIANOU, G. XEPAPADAKIS, A. BLIDARU, D. ZOB, O. VOINEA, M. ÖZDOĞAN, M. Ç. ERGÖREN, A. HEGMANE, E. PAPADOPOULOU, G. NASIOULAS, C. MARKOPOULOS (*Athens; Thessaloniki; Alexandroupolis, Greece; Brasov; Bucharest, Romania; Antalya, Turkey; Nicosia, Cyprus; Riga, Latvia*) 448
- Terrein Exhibits Anti-tumor Activity by Suppressing Angiogenin Expression in Malignant Melanoma Cells. T. HIROSE, Y. KUNISADA, K. KADOYA, H. MANDAI, Y. SAKAMOTO, K. OBATA, K. ONO, H. TAKAKURA, K. OMORI, S. TAKASHIBA, S. SUGA, S. IBARAGI (*Okayama; Gifu, Japan*)..... 464
- Desert Hedgehog Down-regulation Mediates Inhibition of Proliferation by γ -Glutamylcyclotransferase Knockdown in Murine Glioblastoma Stem Cells. M. MORI, H. II, M. FUJITA, K. NOSE, A. SHIMADA, R. SHIRAKI, Y. SONE, C. MOYAMA, K. TANIGUCHI, S. NAKATA (*Kyoto; Osaka-Sayama, Japan*) 474
- DNA Methylation in Recurrent Glioblastomas: Increased TEM8 Expression Activates the Src/PI3K/AKT/GSK-3 β /B-Catenin Pathway. P. KUNDU, R. JAIN, N. N. KANURI, A. ARIMAPPAMAGAN, V. SANTOSH, P. KONDAIAH (*Bangalore, India; London, UK; Dubai, United Arab Emirates*) 485
- Impacts of Matrix Metalloproteinase-2 Promoter Genotypes on Breast Cancer Risk. C.-C. HUNG, C.-L. TSAI, Y.-T. CHIN, Y.-C. WANG, C.-H. LIU, M.-L. LIN, S.-S. CHEN, J.-L. HE, C.-W. TSAI, C.-H. SU, D.-T. BAU, W.-S. CHANG (*Taichung, Taiwan, ROC*) 502
- P53 Status Influences the Anti-proliferative Effect Induced by IFITM1 Inhibition in Estrogen Receptor-positive Breast Cancer Cells. D. S. SUN, J.-S. YOON, Y.-S. KIM, H. S. WON (*Seoul, Republic of Korea*)..... 511
- Targeting Bmi1 for Enhancing Anoikis Sensitivity and Inhibiting Metastasis in Colorectal Cancer. Y.-C. HSU, C.-W. LUO, S.-J. CHANG, C.-Y. LAI, Y.-T. YANG, Y.-Z. CHEN, W.-T. LIU, C.-C. WU, C.-K. SUN, M.-F. HOU, M.-R. PAN (*Kaohsiung; Tainan, Taiwan, ROC*)..... 523
- PIK3CA Mutated Colorectal Cancers Without KRAS, NRAS and BRAF Mutations Possess Common and Potentially Targetable Mutations in Epigenetic Modifiers and DNA Damage Response Genes. I. A. VOUTSADAKIS (*Sault Ste. Marie; Sudbury, ON, Canada*) 533